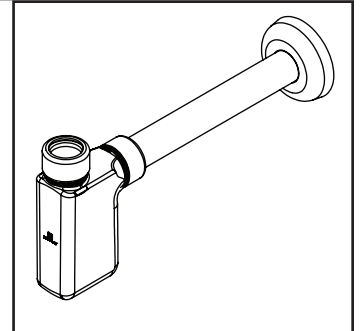




PRODUCT DESCRIPTION

9102-CP/SN/PN/DB

- Surpasses US and Canadian plumbing standards
- Constructed from solid brass
- Decorative bottle trap
- 13" Tailpipe Length



PRODUCT MEASUREMENTS

- Width: 1 27/32"
- Depth: 13"
- Height: 6 1/4"

RECOMMENDED ACCESSORIES

ROUGHING-IN DIMENSIONS

